

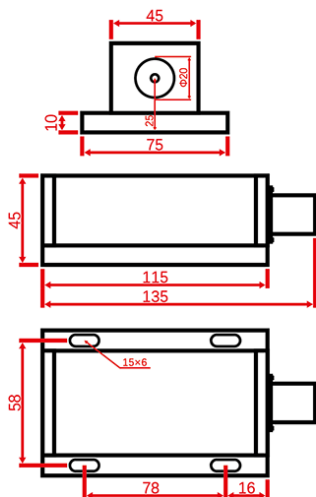
1313nm Infrared DPSS Laser



†Specifications

| | |
|--|--|
| Product Code | SSL - 1313 - XXXX - XXM - D - LED |
| Wavelength [nm] | 1313 |
| Output Power [mW] [0 - Max Adjustable] | 1 - 500 |
| Transverse Mode | TEM ₀₀ / CW |
| Operating Temperature [°C] | +10 - +35 |
| Storage Temperatures [°C] | -10 - +45 |
| Warm-up Time [minutes] | < 15 |
| Power Stability [rms, over 4 hours] | 5%, 3%, 1% |
| M ² Factor | < 1.2 |
| Beam Diameter At The Aperture [mm] | ~ 1.5 |
| Beam Divergence, Full Angle [mrad] | < 1.5 |
| Spectral Linewidth [nm] | < 0.1 |
| Polarization Ratio | > 100 : 1 |
| Point Stability After Warm-up [mrad] | < 0.05 |
| Noise of Amplitude [rms] | < 30% |
| Modulation [TTL or Analog Alternative] | Standard 10KHz, Up to 40KHz need request |
| Laser Head Dimensions [mm] | 135 [L] × 75 [W] × 45 [H] |
| Power Supply Dimensions [mm] | 140 [L] × 140 [W] × 85 [H] |
| Working Voltage [VAC] | 85~245, 50/60Hz |
| Laser Gross Weight [kg] | 2.0 |
| Cooling Way | Cooled by TEC and air |
| Expected Lifetime [hours] | > 10000 |
| Warranty Time [year] | 1 |

Laser Head Dimension:



Power Supply Dimension:

