
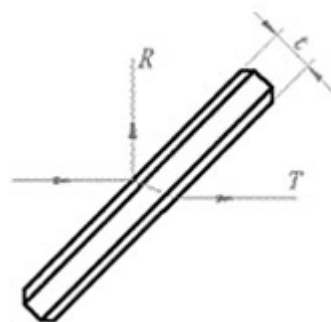


NARROW BAND BEAM SPLITTER PLATES

Specification

Material:	N-BK7 or Click this to Glass List 
Dimension Tolerance:	±0.1mm
Thickness Range:	0.5 ~ 50.0mm
Parallism:	< 20 arc seconds
Surface Figure:	$\lambda/4@632.8\text{nm}$
Surface Quality:	40 / 20
Beam Deviation:	<3 minutes
Bevel:	0.25 × 45°
Clear Aperture:	>90%
Design Wavelength:	450 - 1550nm
Coating:	[Incidence angle: 45 degree]
	S1: Single wavelength partial reflectance S2: "V" AR-coatings
T/R:	50/50 ±5%, for random polarization $T=(T_s+T_p)/2$, $R=(R_s+R_p)/2$



PRODUCTS LIST

Dimension [mm]	12.7 × 12.7 × 3	25.4 × 25.4 × 3	50.8 × 50.8 × 3	Φ25.4 × 3
Wavelength [nm]	Part No.	Part No.	Part No.	Part No.
450	SSL-RO-NBP-001	SSL-RO-NBP-101	SSL-RO-NBP-201	SSL-RO-NBP-301
488	SSL-RO-NBP-002	SSL-RO-NBP-102	SSL-RO-NBP-202	SSL-RO-NBP-302
514.5	SSL-RO-NBP-003	SSL-RO-NBP-103	SSL-RO-NBP-203	SSL-RO-NBP-303
532	SSL-RO-NBP-004	SSL-RO-NBP-104	SSL-RO-NBP-204	SSL-RO-NBP-304
632.8	SSL-RO-NBP-005	SSL-RO-NBP-105	SSL-RO-NBP-205	SSL-RO-NBP-305
635	SSL-RO-NBP-006	SSL-RO-NBP-106	SSL-RO-NBP-206	SSL-RO-NBP-306
670	SSL-RO-NBP-007	SSL-RO-NBP-107	SSL-RO-NBP-207	SSL-RO-NBP-307
780	SSL-RO-NBP-008	SSL-RO-NBP-108	SSL-RO-NBP-208	SSL-RO-NBP-308
850	SSL-RO-NBP-009	SSL-RO-NBP-109	SSL-RO-NBP-209	SSL-RO-NBP-309
980	SSL-RO-NBP-010	SSL-RO-NBP-110	SSL-RO-NBP-210	SSL-RO-NBP-310
1064	SSL-RO-NBP-011	SSL-RO-NBP-111	SSL-RO-NBP-211	SSL-RO-NBP-311
1300	SSL-RO-NBP-012	SSL-RO-NBP-112	SSL-RO-NBP-212	SSL-RO-NBP-312
1550	SSL-RO-NBP-013	SSL-RO-NBP-113	SSL-RO-NBP-213	SSL-RO-NBP-313