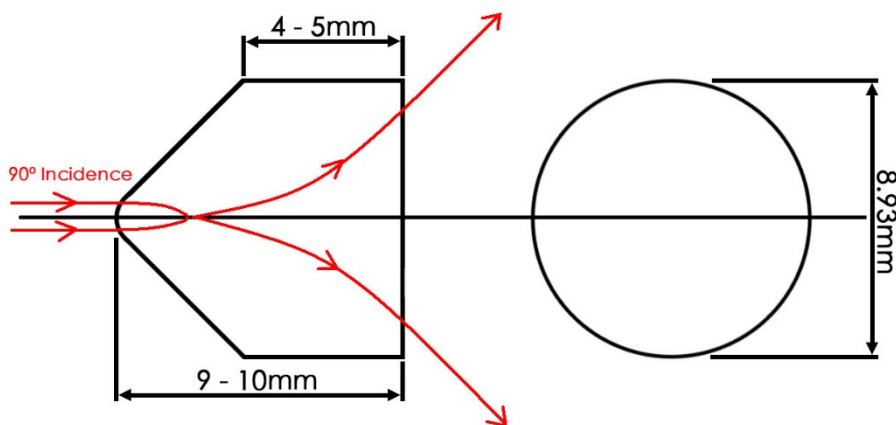


Laser Line Generator Lens [DEMO]

Specifications

Product Code	SSL - LLG - 30 -1.0B - 10%
Lens Fan Angles	30°
Matching Laser Beam Type & Size	1.0mm
Lens Number	00000000
Lens Dimensions	Φ8.93mm × 9mm (Height)
Material	N-BK7 Optical Glass
Surface Figure	λ/2@632.8nm
Surface Quality	40 / 20
Diameter Tolerance	±0.02mm
Lens Grade	Highest
Intensity Distribution	≤ 10%
Coating	None

Lens Dimension and Laser Beam Incidence Instruction



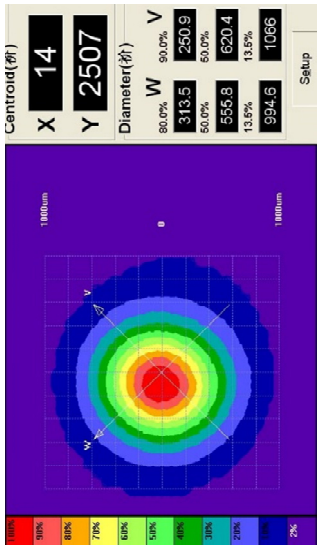
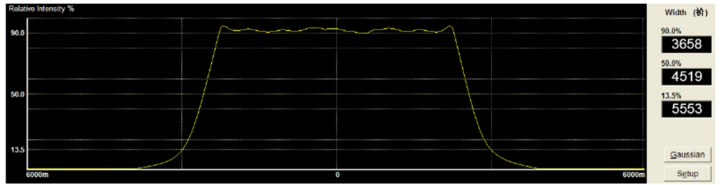
Lens Power Intensity Distribution Test Report

Order No. 00000000
Client ID: 000-000

Date: January. 01. 2019
P / N: SSL-OTR-000000

Products Code	Test Qty	Delivery Qty	Products Code	Test Qty	Delivery Qty
SSL-LLG-30-1.0B-10%	1	1	\	\	\
\	\	\	\	\	\

Intensity Distribution Graph

Standard Laser Beam	Products №	Intensity Distribution	
 <p>Centroid(μm) X 14 Y 2507</p> <p>Diameter(μm) W 2507 V 2509</p> <p>80.0% 313.5 50.0% 555.8 13.5% 994.6</p> <p>90.0% 250.9 50.0% 620.4 13.5% 1066</p> <p>Setup</p>	SSL-LLG-30-1.0B-10% 00000000	 <p>Relative Intensity %</p> <p>Width (μm) 90.0% 3658 50.0% 4519 13.5% 5553</p> <p>Gaussian Setup</p>	

Engineer: Lance Sun

Censor: Simon Chen

Date: 2019. 01. 01

Date: 2019. 01. 01