
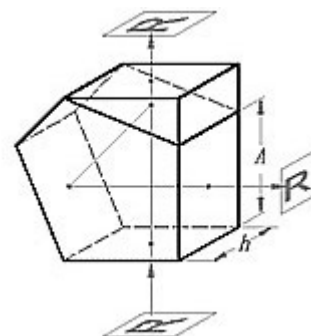


# BEAMSPLITTER PENTA PRISMS

## Specification

Material:	N-BK7 or <a href="#">Click this to Glass List</a> 
Dimension Tolerance:	±0.1mm
Angle Tolerance:	±3 arc min.
Precision Series:	<5 arc seconds
Deviation	90°
Surface Figure:	λ/4@632.8nm
Surface Quality:	40 / 20
Reflectivity:	R > 95% per face from 630 - 680nm
Clear Aperture:	>90%
Coating:	Specified by customer.



## PRODUCTS LIST

A × H [ mm ]	1 min. Deviation	5 sec. Deviation	10 sec. Deviation	30 sec. Deviation
	Part No.	Part No.	Part No.	Part No.
7 × 6	SSL-RO-BPP-001	SSL-RO-BPP-101	SSL-RO-BPP-201	SSL-RO-BPP-301
8 × 8	SSL-RO-BPP-002	SSL-RO-BPP-102	SSL-RO-BPP-202	SSL-RO-BPP-302
10 × 10	SSL-RO-BPP-003	SSL-RO-BPP-103	SSL-RO-BPP-203	SSL-RO-BPP-303
12 × 12	SSL-RO-BPP-004	SSL-RO-BPP-104	SSL-RO-BPP-204	SSL-RO-BPP-304
15 × 15	SSL-RO-BPP-005	SSL-RO-BPP-105	SSL-RO-BPP-205	SSL-RO-BPP-305
25 × 25	SSL-RO-BPP-006	SSL-RO-BPP-106	SSL-RO-BPP-206	SSL-RO-BPP-306
30 × 30	SSL-RO-BPP-007	SSL-RO-BPP-107	SSL-RO-BPP-207	SSL-RO-BPP-307
35 × 35	SSL-RO-BPP-008	SSL-RO-BPP-108	SSL-RO-BPP-208	SSL-RO-BPP-308